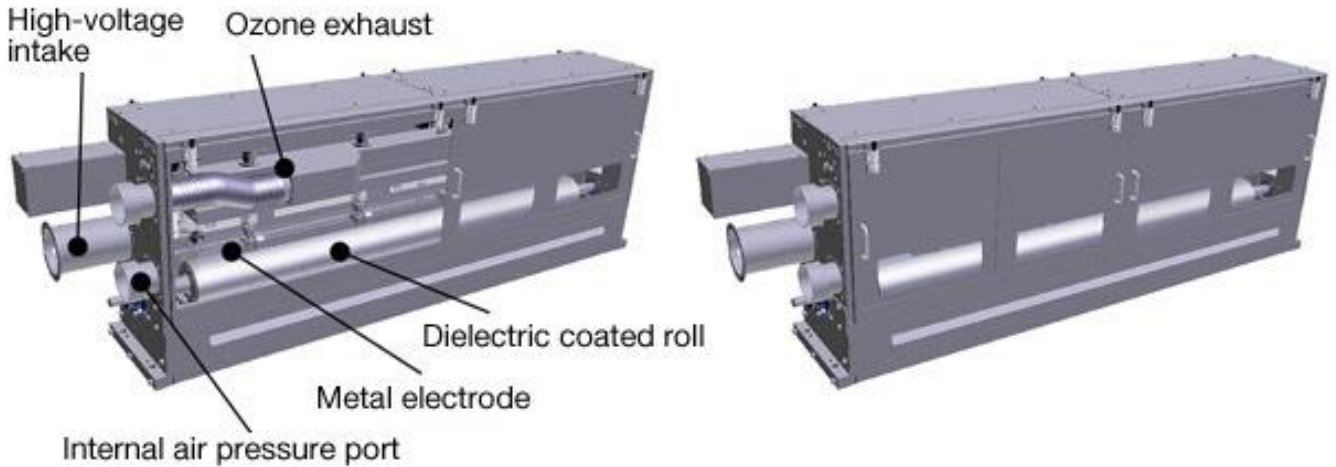


Treating station with internal air pressure



This treating station comes in a structure that heightens the internal air pressure to prevent the ambient air from entering inside.

It is used for a printing machine, coater, etc. that uses volatile solvent.

It can also treat conductive base materials (by combining a ceramic/quartz electrode with a metal roll).



CHIP HUA EQUIPMENT & TOOLS PTE LTD. 集華儀器與器具(私人)有限公司

701 SIMS DRIVE, #04-02, LHK BUILDING, SINGAPORE 387383. Tel: 62983088, 67469192 Fax: 62970029, 67463364
Email: sales@chiphua.com <http://www.chiphua.com>